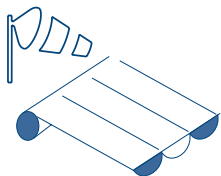
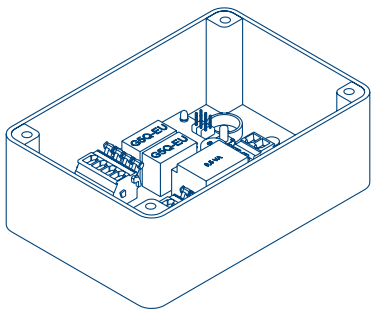


CHERUBINI

tocco italiano dal 1947

A510021 TDS SILVER



CENTRALINA PER TENDE DA SOLE

I

CONTROL UNIT FOR AWNINGS

GB

STEUERUNG FÜR MARKISEN

D

CENTRALE DE MARCHE POUR STORES

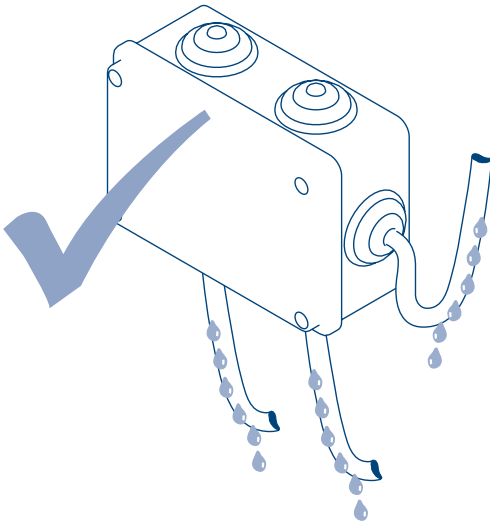
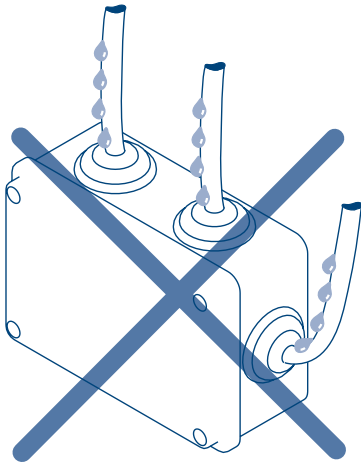
F


RECEPTOR PARA PROTECCIÓN SOLAR

E

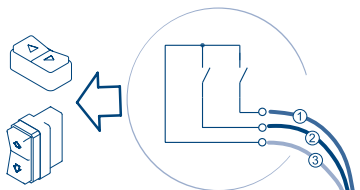


ISTRUZIONI - INSTRUCTIONS - EINSTELLANLEITUNGEN
INSTRUCTIONS - INSTRUCCIONES

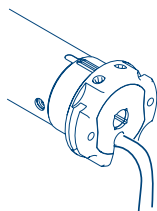



ITALIANO
① MARRONE
② NERO
③ BLU
④ GIALLO-VERDE 


INGLESE
① BROWN
② BLACK
③ BLUE
④ YELLOW-GREEN 




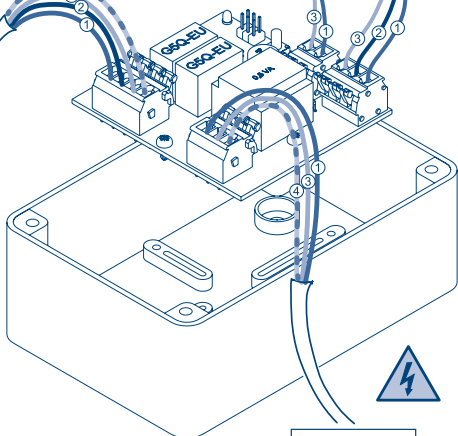
WINDTEC SC
cod. A520010



DEUTSCH
① BRAUN
② SCHWARZ
③ BLAU
④ GRÜN-GELB 

FRANÇAIS
① MARRON
② NOIR
③ BLEU
④ JAUNE-VERT 

ESPAÑOL
① MARRÓN
② NEGRO
③ AZUL
④ AMARILLO-VERDE 

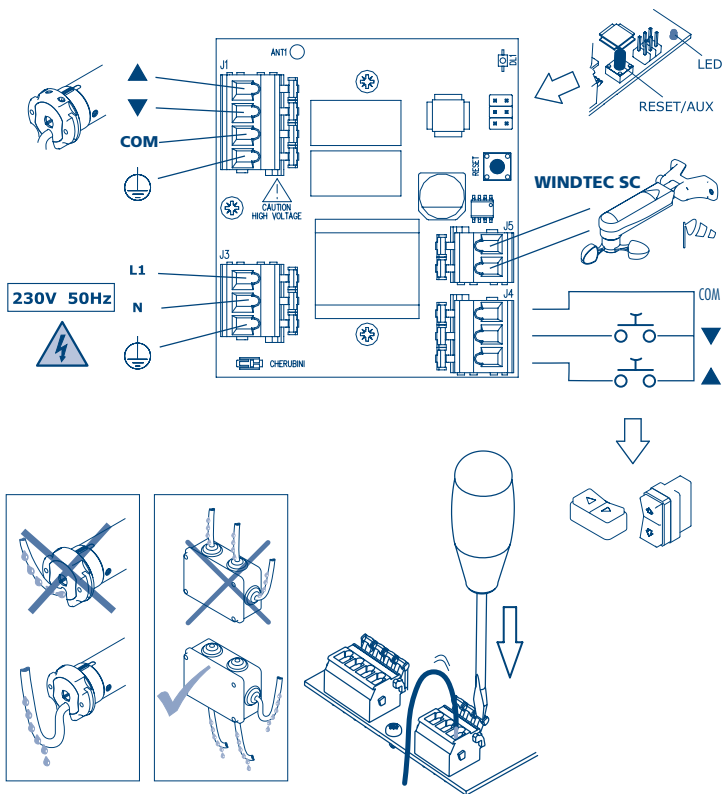


TDS SILVER - cod. A510021

230 V 50 Hz 

ELECTRICAL CONNECTIONS

- Only professional technicians must perform installation, complying with all safety instructions, especially those regarding electrical connections.
- To avoid short circuits, arrange an automatic bipolar switch with opening distance of the contacts of at least 3 mm before the circuit.

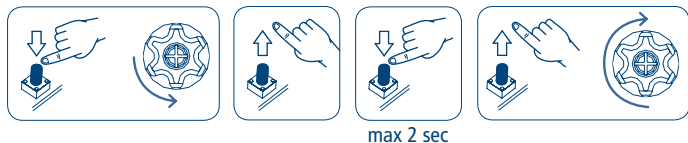


SETTING THE ROTATION DIRECTION OF THE MOTOR

This operation is necessary if the rotation direction of the motor does not match to the UP and DOWN buttons of the switch.

If a Wind-sensor is connected, it's absolutely necessary and important to set the rotation direction. (To avoid damage of the awning!!)

Setting the rotation direction using the button **RESET/AUX**:



Interchanging the **BROWN** and **BLACK** motor wire on the terminals of the control unit, will also reverse the rotation direction.

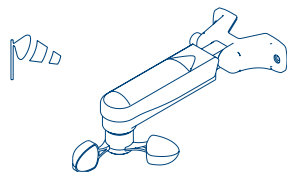
The control unit will keep this setting even after complete memory clearing!!

TIME-OUT SETTING

Time-out is the time during which the control unit is active, that's to say an opening or closing order is given. This time must always be longer than the opening-closing time of the device being controlled. The time-out ends after pressing the STOP button or also after the set value.

From factory setting: **180 seconds**.

WIND SENSOR WINDTEC-SC



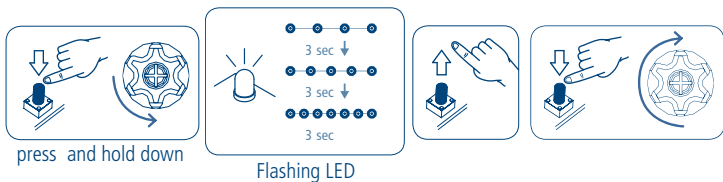
WINDTEC SC
Ref. A520010

This kind of Wind-sensor must be wired to the control unit on the indicated terminals, without respecting the polarity. Exceeding the set level the control unit will automatically perform the command associated to the UP button of the switch. So ensure that the rotation direction corresponds correctly to the buttons of the switch. If not it's absolutely necessary to set the rotation direction. The "Wind-alarm" time is 8 minutes during which the control unit will not accept any command. During the wind-alarm the red led inside the control unit is blinks.

WARNING: do not connect more than 5 control units to one anemometer WindTec SC.

WIND-SPEED SETTING ON THE WINDTEC-SC

To set the wind alarm threshold on the WindTec SC anemometer linked to the TDS Silver Control Unit, use the RESET/AUX button.



Press and hold down the RESET/AUX button: the motor will perform a confirmation movement. After 3 seconds the LED will begin to flash, changing its flash frequency every 3 seconds. Each flash frequency is associated with a different wind alarm threshold.

SLOW Frequency ● — ● — ● — ● > Low threshold > 15 km/h

MEDIUM Frequency ● — ● — ● — ● > Medium threshold > 25 km/h

FAST Frequency ●●●●●●●● > High threshold > 35 km/h

Release and press the RESET/AUX button again during the frequency desired to memorise the associated wind alarm threshold. A long movement of the motor in the direction opposite to the initial direction confirms the successful memorisation.

If no speed is properly selected, the control unit stops the procedure and the motor performs a brief return movement.

In factory set on: **25 km/h.**

EU DECLARATION OF CONFORMITY

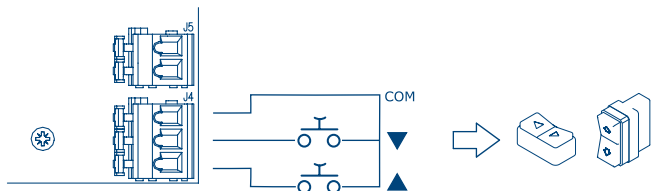
CE CHERUBINI S.p.A. declares that the product is in conformity with the relevant Union harmonisation legislation:

Directive 2014/53/EU, Directive 2011/65/EU.

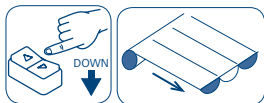
The full text of the EU declaration of conformity is available upon request at the following website: www.cherubini.it.

SWITCH

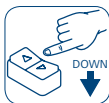
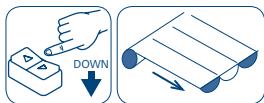
It is possible to drive the motor through a switch connected to the control unit with three wires (up, down, common), momentary single pole, double throw (centre-off) switch with mechanical or electrical interlocking to prevent connection to both terminals simultaneously.



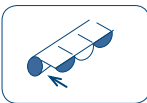
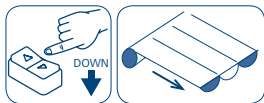
FUNCTIONING



Pressing one of the two buttons and releasing, the motor drives to the desired direction until it reaches the limits.



To stop the motor before reaching the limits press again the same button.



If during the movement the other button is pressed the motor changes the direction.

TECHNICAL FEATURES

Power supply	230 V AC
Power consumption	2 W
Max motor power	500 W
Operating temperature	-10°C +55°C
Dimensions	120 x 80 x 50 mm
Weight	300 g
Protection degree	IP55

CHERUBINI S.p.A.

Via Adige 55
25081 Bedizzole (BS) - Italy
Tel. +39 030 6872.039 | Fax +39 030 6872.040
info@cherubini.it | www.cherubini.it

CHERUBINI Iberia S.L.

Avda. Unión Europea 11-H
Apdo. 283 - P. I. El Castillo
03630 Sax Alicante - Spain
Tel. +34 (0) 966 967 504 | Fax +34 (0) 966 967 505
info@cherubini.es | www.cherubini.es

CHERUBINI France S.a.r.l.

ZI Du Mas Barbet
165 Impasse Ampère
30600 Vauvert - France
Tél. +33 (0) 466 77 88 58 | Fax +33 (0) 466 77 92 32
info@cherubini.fr | www.cherubini.fr

CHERUBINI Deutschland GmbH

Siemensstrasse, 40 - 53121 Bonn - Deutschland
Tel. +49 (0) 228 962 976 34 / 35 | Fax +49 (0) 228 962 976 36
info@cherubini-group.de | www.cherubini-group.de

